

Shared (via air distributor) or independent pneumatic control version for each module.

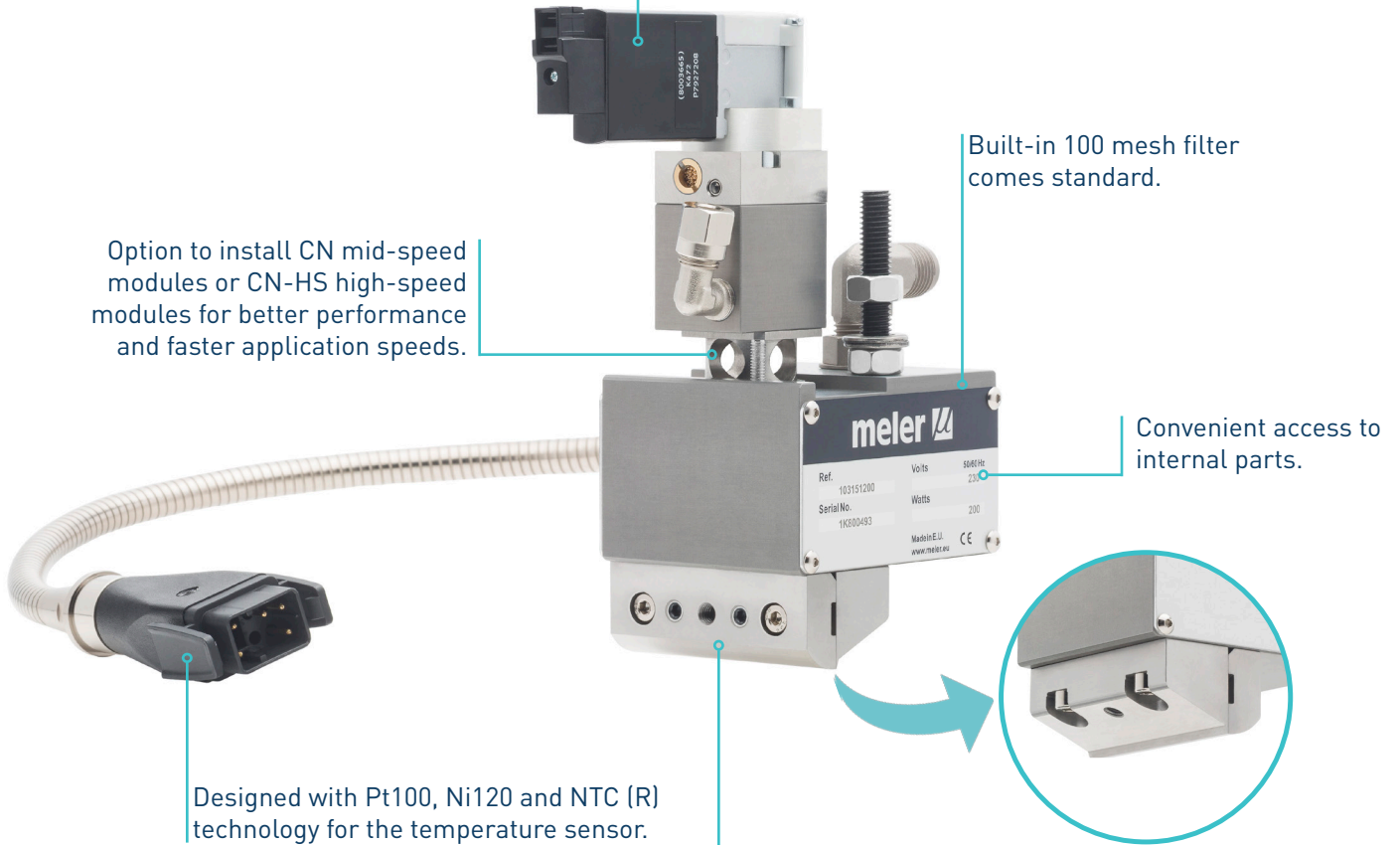
Option to install CN mid-speed modules or CN-HS high-speed modules for better performance and faster application speeds.

Built-in 100 mesh filter comes standard.

Convenient access to internal parts.

Designed with Pt100, Ni120 and NTC (R) technology for the temperature sensor.

Reversible nozzle that adapts to the application.



# GLUING SOLUTIONS

## CN COATING APPLICATOR FOR INTERMITTENCES

- Can be configured for all applications.
- Very accurate cut-off even at high speeds.
- Greater coating width up 1000 mm.
- Better thermal uniformity of the applicator-nozzle assembly, and therefore of the adhesive.

## MAIN FEATURES

- Optimised basic design, with the option to use different sized applicators to achieve the size and coating required for every application (maximum width of 480 mm in aluminium applicators and 1000 mm in steel applicators). Built-in filter available for all models.
- CN or CN-HS modules can be used for better performance and faster application speeds.
- Reversible nozzle that allows the applicator to be mounted in the optimal position on the production line, regardless of the coating direction.

## OPERATING AND MAINTENANCE

- The internal parts are accessed from the side by removing the small closing plates, making them easy to maintain and repair.
- The heating system provides thermal stability at every adhesive output.

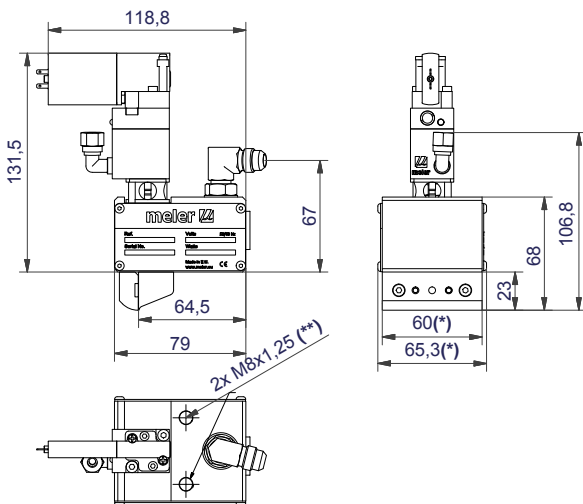
## TECHNICAL CHARACTERISTICS

Max. operating temperature	up to 200 °C (392 °F)
Heating power	depending on the configuration used
Max. hydraulic pressure	80 bar (1160 psi)
Max. pneumatic pressure	6 bar; dry, clean and non-lubricated
Intermittence speed (*)	up to 4800 cycles/min (CN module) up to 9000 cycles/min (CN-HS module)
Coating width	up to 450 mm in aluminium applicators from 450 to 1000mm in steel applicators
Temperature control	RTD $\pm 0.5^{\circ}\text{C}$ ( $\pm 1^{\circ}\text{F}$ ) (Ni120, Pt100 or NTC-R)
Power supply voltage	230 VAC, 50/60 Hz (from the melter unit)
Solenoid valve voltage	24 VDC

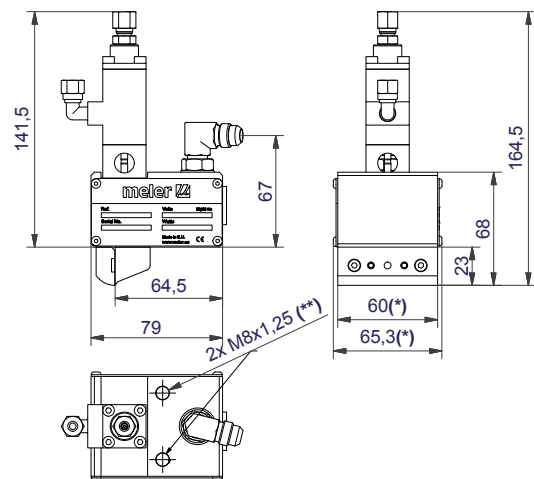
(\*) Depends on the type of adhesive.

## DIMENSIONS

**CRCN HS APPLICATOR**



**CRCN MS APPLICATOR**



(\*) Width based on the number of modules and centre-to-centre distances requested.

(\*\*) (<150mm) 2x M8; (>150mm) number of supports depending on the length of the applicator x M12.

For more information speak with your Focke Meler representative:

**meler** 

**Focke Meler Gluing Solutions, S.A.**  
Pol. Los Agustinos, c/G, nave D-43  
E-31160 Orkoien - Navarra - Spain  
Phone: +34 948 351 110  
Fax: +34 948 351 130  
info@meler.eu - [www.meler.eu](http://www.meler.eu)

A Focke Group Company

**CE**

