



Simple and intuitive temperature control system

Speed control using built-in pump control board

Wide range of single or double pump sizes

Flat plate, with radial or parallel fins, coated with anti-adherent material, for any type of adhesive

## PS200 Drum unloader

Melter used to melt adhesive in 200 litre cans directly from the packaging. Production can be interrupted during a number of days, without the need to supply inert gas. Simple placement of adhesive drum.

# GLUING SOLUTIONS

- This unit has a wide manual and automatic flow rate adjustment range. The flow rate is adjusted by means of regulating the speed of the 10-80 rpm pump motor.
- The electrical and hydraulic connections are located on the top of the melter plate, which makes connecting hoses an easy task. Up to four hoses-applicators can be connected to the outputs of these units.
- The bypass valve of the pumps of the unit is a vital safety element, since it limits the maximum pressure in the system.
- An air injection system is used to eject the melter plate; this system counteracts the effects of the vacuum generated inside the canister. Optionally, this process can be carried out automatically.

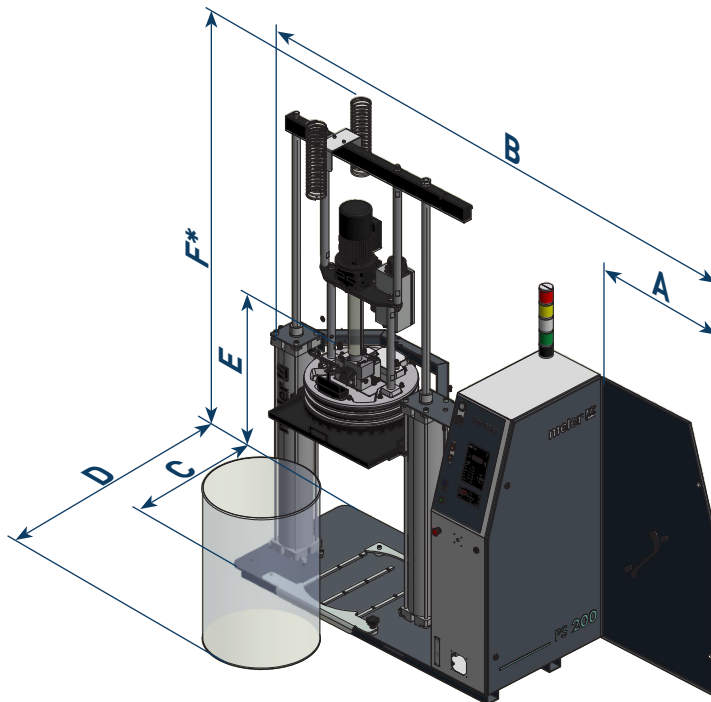
#### MAIN APPLICATIONS

Automotive industry, bookbinding, graphic arts (transparent cases), pre-melter for rollers and other types of tanks, coating of plank edges, post-forming, sealing counter-tops and coating mouldings.

## TECHNICAL CHARACTERISTICS

Drum dimensions	Ø571 (inner diameter) x 950mm (up to 200L)	
Type of melting platen	Smooth, axial platen or parallel platen	
Melting rate <b>(*)</b>	Up to 165 kg/h	
Pumping capacity <b>(*)</b>	1, 2.5, 4, 8, 15, 20 and 30 cc/rev single pump	
	2x0.93, 2x1.86, 2x3.71 and 2x4.8 cc/rev double pump	
Number of pumps	1 single pump or 1 double pump	
	2 single pumps up to 8 cc/rev	
Number of hydraulic outputs	2 per pump (3/4" UNF thread)	
Number of electric outputs	2 or 4 outputs (Standard version)	
Motor power	0.375, 0.55, 0.75, 1.1 kW depending on the type of pump	
Speed	10-80 rpm (range 0-100 rpm)	
Temperature range	40 to 200°C	
Temperature control	RTD ±0,5°C	
Maximum power pressure	80 bar (1.160 psi) (recommended not exceed 70 bar)	
By- pass valve	Pneumatic (manual regulation)	
Maximum power supply		
	1 single pump/ 2 outputs	9.300 W/ per phase
	1 single double/ 4 outputs	10.500 W/ per phase
External functions	Temperature ok output, Empty drum output, Standby input, Motor start-stop external control, Motor speed external control	
Electrical requirements	3N ~ 400V 50/60 Hz + PE	
Options	Tower light, Automatic air injection system for platen pulling out	
<b>(*) According to adhesive type, platen type and working conditions</b>		

## DIMENSIONS



A: -----	800 mm
B: -----	2.600 mm
C: -----	800 mm
D: -----	1.600 - 2.000 mm
E: -----	1.710 mm
F: -----	2.740 mm
(*) --+ 400 mm	hose installation

For more information speak with your Focke Meler representative:

**meler** 

Focke Meler Gluing Solutions, S.A.  
Pol. Arazuri-Orkoien, c/B, nº3 A  
E-31170 Arazuri - Navarra - Spain  
Phone: +34 948 351 110  
info@meler.eu - [www.meler.eu](http://www.meler.eu)

Focke Group

**CE**



Management System  
ISO 9001:2015



www.tuv.com  
ID: 9105030748